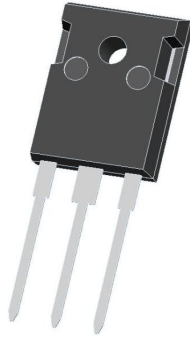


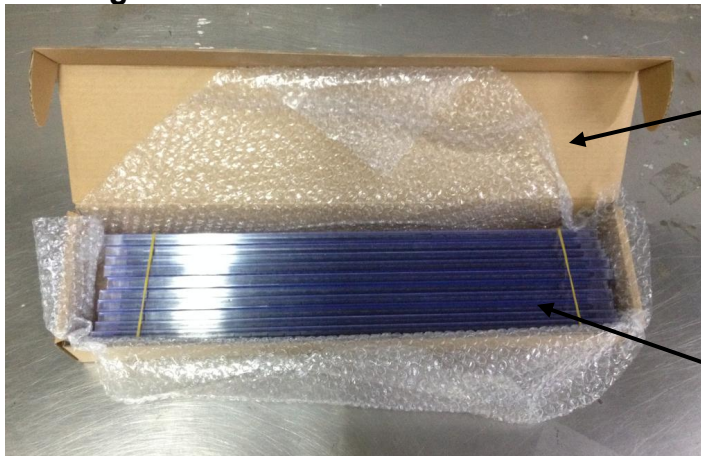
# TO-247AD Packing information

B024, Rev. -

## 1. Finish Goods PKG photo

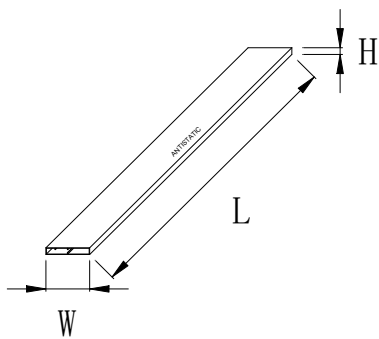


## 2. Packing method



Inner Box

Tube



Label



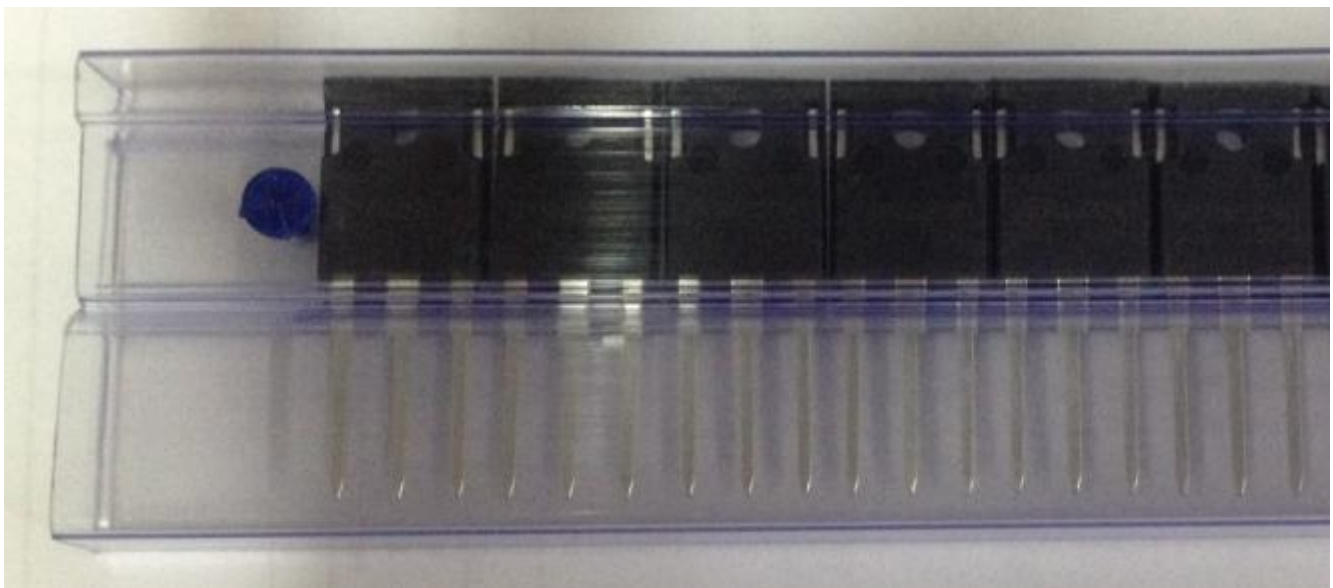
**Fig.1- Tube pack for TO-247AD**

**Table 1. Packing information**

Package version	Tube dimensions L×W×H (mm)	Per Tube (pcs)	Tube Weight (Kg)	Inner box (pcs)	Inner box dimensions L×W×H (mm)	Inner box weight (Kg)	Outer box (pcs)	Inner box dimensions L×W×H (mm)	Outer box weight (Kg)
TO-247AD	416*46*8	25	0.20	300	450*105*65	2.3	1800	460*230*220	15

**3. Product orientation**

Standard product orientation TO-247AD



→  
direction of feed

**Fig 2. Product orientation in Tube**